



2.5GBase-T Pulse Transformer

You can rest assured to buy 2.5GBase-T Pulse Transformer from JASN factory and we will offer you the best after-sale service and timely delivery. V24C01SP is compliant with IEEE 802.3bz standard and comply with ROHS requirements.

Model:V24C01SP

JASN as one of the professional China 2.5GBase-T Pulse Transformer manufacturers and China 2.5GBase-T Pulse Transformer factory, we are strong strength and complete management. Also, we have own exporting license.

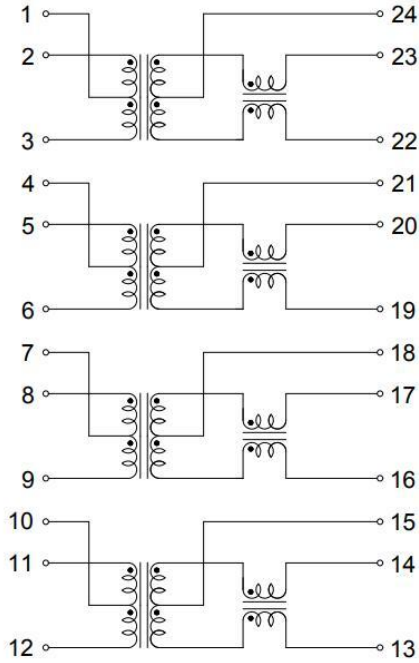
Feature

- Suitable for POE+ and UPOE applications.
- 2.5G BASE-T Ethernet Magnetics.
- Comply with ROHS requirements.
- Operating temperature range: 0°C to +70°C.
- Storage temperature range: -20°C to +125°C.

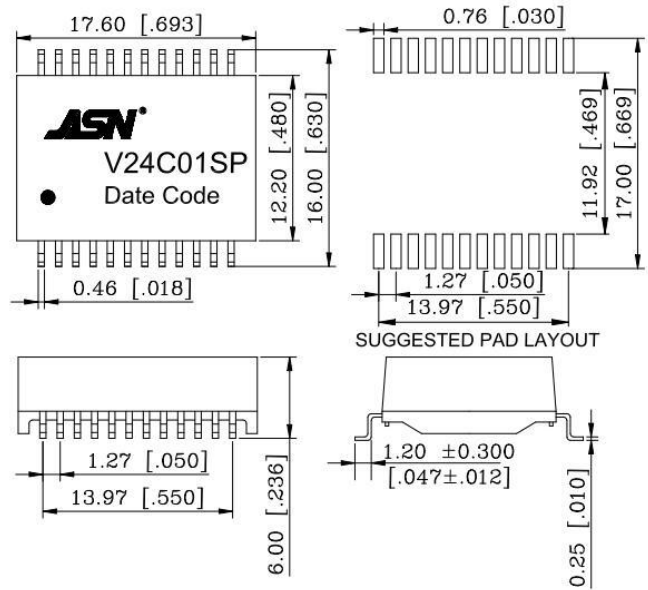
Electrical Specifications @ 25°C

OCL:	120uH Min. @100KHz/0.1V with 8mA DC Bias		
Hi-POT :	1500Vrms		
Turn Ratio:	1:1±3%		
LK:	0.5uH Max @100KHz/0.2V		
Cw/w	35PF Max @100KHz/0.2V		
D.C.R:	1.2 ohm Max		
Insertion Loss:	1MHz	2-100MHz	100-250MHz
	-0.4dB Max	-1dB Max	-1.5dB Max
Cross Talk :	1-250MHz: -30dB Min		
Return Loss:	1-40MHz	40-250MHz	
	-18dB Min	-17+ 10*LOG(f/40) dB Min	

Schematic



Mechanical



Unless otherwise specified, all tolerances are ±0.25