



Signal Transformer

JASN is China manufacturer & supplier who mainly produces Signal Transformer with many years of experience. PN G72T13DQ can support PoE option and has Quad channel 1000M application.

Model:G72T13DQ

High quality Signal Transformer is offered by China manufacturer JASN. Buy Signal Transformer which is of high quality directly with low price.

Feature

Compliant with IEEE 802.3ab standard.

Comply with RoHS requirements.

Operating temperature range: -40°C to +85°C.

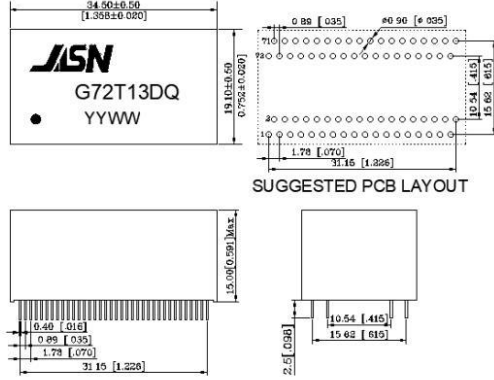
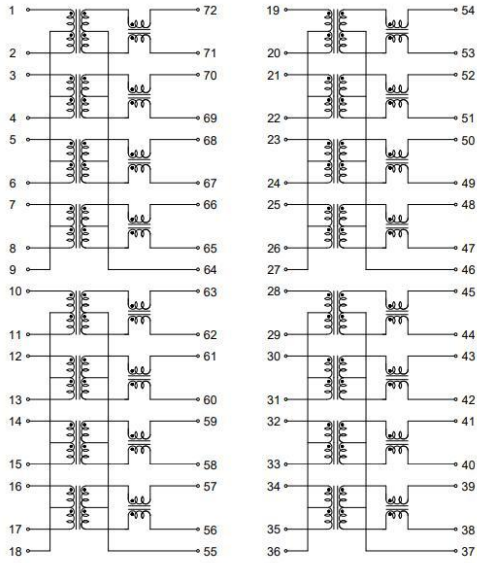
Storage temperature range: -40°C to +125°C.

Electrical Specifications @ 25°C

OCL:	350uHMin. @100KHz/0.1Vwith8mADCBias				
Hi-POT:	1500Vrms				
TurnRatio:	1:1±3%				
LK:	0.5uHMax @ 100KHz/0.2V				
Cw/w	120pFMax @100KHz/0.2V				
D.C.R:	1.4ohm Max				
InsertionLoss:	1-100MHz:-1.0dBMax				
Cross Talk :	1-100MHz:-30dBMin				
ReturnLoss:	1-30MHz	40MHz	50MHz	60-80MHZ	80-100MHZ
	-18dBMin	-14.4dBMin	-13.1dBMin	-12dBMin	-10dBMin

Schematic

Mechanical



1. Unit: mm[inch]
2. Unless otherwise specified, all tolerances are $\pm 0.25[.01]$